



计量式色母混合机 Volumetric Dosers

说明:

SCM系列计量式色母混合机适用于新料、次料、色母或添加剂等的自动比例混合。该系列机型使用直流无刷式马达,依据预选设定的比例混合透过全数位微电脑控制系统设定的条件自动转换成转速直接驱动精密螺杆挤出原料,其误差值不高于 $\pm 1\%$ 。该产品的马达减速比分为30:1及100:1两种,螺杆直径区分为12、14、16mm三种,可演变出六种机型提供0.1~32kg/hr的不同输出量供客户选择。另有双色色母机,可依客户需求搭配任意两台色母机合并使用。

Description:

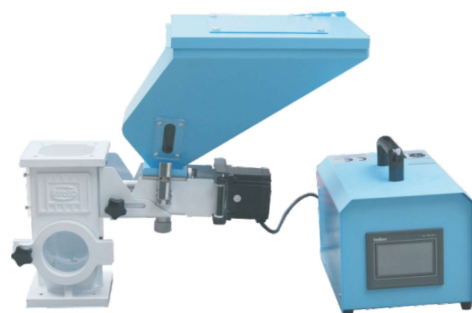
The SCM series volumetric dosers are suitable for auto-proportional mixing of new material, regrind, master batch and additives. A brushless DC motor is used in this series. The microprocessor accurately controls rotation of the high precise dosing screws to squeeze out materials with an accuracy of $\pm 1\%$ from set point. A gear motor with deceleration ratio of 30:1 or 100:1 is coupled to a dosing screw of six models with output ranging from 0.1~32kg/hr. Double color doser can be supplied to match with two single color doser if required by clients.

本机特点:

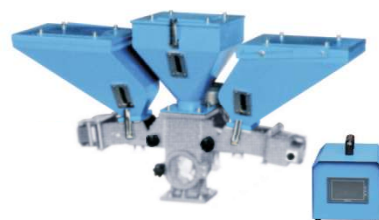
- 使用直流无刷式马达, 无需保养;
- 具备数据永久记忆及存储功能;
- 采用微电脑式控制, 智能化精确计算;
- 可同时满足外部信号输入的要求;
- 螺杆采用镀铬处理, 经久耐用;
- 模组式的装配结构, 拆装方便, 易于清理及互换;
- 单色色母机的标准底座配备三管料斗磁铁, 可吸附金属物, 防止成型机螺杆损坏;
- 搅拌器为双色色母机的标准配备它可以满足客户双重混料需求, 单色色母机机型可选配搅拌机, 混料均匀;
- 主料斗为双色色母机的标准配备单色色母机可选配;
- 搭配SHD-100或THD-160U以上干燥机时, 安装底座需加装一大型法兰(无三管料斗磁铁);
- 客户搭配SHD-100-300KG, SHD-160U
- 450U干燥机时需选配脚架;
- 改为欧规安全回路型时, 机型后加“CE”。

Features:

- Everlasting data memorizer and settings storage.
- Use brushless DC motor and free from maintenance.
- Microprocessor control, intelligent and accurate in calculation.
- External signals can be directly interfaced with the control box.
- Dosing screws are chrome plated for durability.
- Unit is comprised of standard modules for ease of cleaning, disassembly and interchangeability.
- Three-tubes hopper magnet is equipped at the base of the single color doser to absorb metal impurities so to prevent the screw of moulding machine from damage.
- Single color doser takes base blender as an option to make blending more evenly.
- Blender built-in a standard accessory for double color doser and it can meet client's need for double blending.
- Main material hopper is a standard accessory for double color doser. It is optional for single color doser.



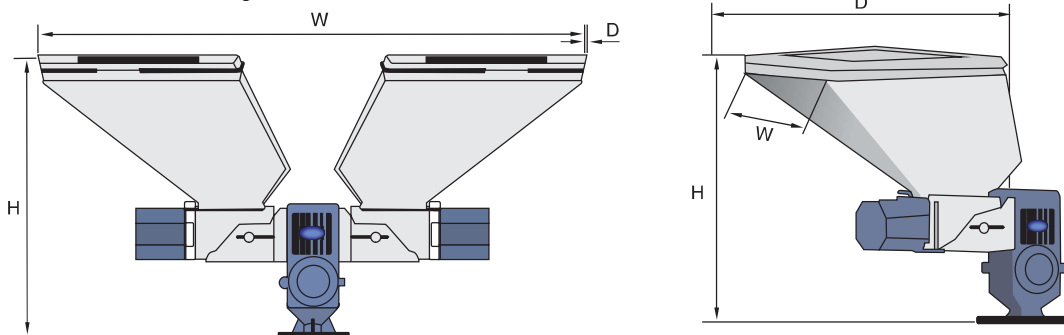
SCM-30单色计量式色母混合机
Single-Color Volumetric Doser



SCM-D双色计量式色母混合机
Double-Color Volumetric Doser



外形尺寸图 / Outline drawing



混合拌料系列
Dosing and Mixing

规格表 / Specification

机型 Model	单色机 / Single						双色机 / Color machine		
	SCM-30-16	SCM-30-14	SCM-30-12	SCM-100-16	SCM-100-14	SCM-100-14	SCM-D-30/30	SCM-D-30/100	SCM-D-30/100
马达功率 (KW) Motor Power	0.06	0.06	0.06	0.06	0.06	0.06	0.06x2	0.06x2	0.06x2
马达转速 (r.p.m) Rev	0-3000	0-3000	0-3000	0-3000	0-3000	0-3000	0-3000	0-3000	0-3000
搅拌器功率 (KW) Mixer Power	0.09	0.09	0.09	0.09	0.09	0.09	0.09	0.09	0.09
螺杆外径 (mm) Screw External Dia	16	14	12	16	14	12	**	**	**
输出量 (kg/hr) Output Capacity	1.1-32	1.1-20	0.3-10	0.5-15	0.2-8	0.1-4	*	*	*
储料桶 (L) Storage Bin	10	10	10	10	10	10	10	10	10
减速比 Gear Ratio	30:1	30:1	30:1	30:1	100:1	100:1	30:1/100:1	30:1/100:1	30:1/100:1
主原料门 Main Material Hopper	选配 Optional	选配 Optional	选配 Optional	选配 Optional	选配 Optional	选配 Optional	标准 Standard	标准 Standard	标准 Standard
搅拌器 Mixer	选配 Optional	选配 Optional	选配 Optional	选配 Optional	选配 Optional	选配 Optional	标准 Standard	标准 Standard	标准 Standard
脚架 Floor Stands	选配 Optional	选配 Optional	选配 Optional	选配 Optional	选配 Optional	选配 Optional	选配 Optional	选配 Optional	选配 Optional
外形尺寸 Dimensions									
H (mm)	580	580	580	580	580	580	580	580	580
W (mm)	530	530	530	530	530	530	900	900	900
D (mm)	290	290	290	290	290	290	290	290	290
净重 (kg) Weight	29	29	29	29	29	29	50	50	50

注:

- 1) "*" 表示依客户所选机型决定输出量的大小, 可参考单色机资料;
- 2) "**" 表示螺杆外径依客户选型而定;
- 3) 单色机加装搅拌器, 机型后面加注 "MS";
- 4) 以上机型输出量是以比重为1.2, 直径为2-3mm的色母颗粒以连续运转方式为测试标准所得的数据;
- 5) 机器电压规格为: 1Φ, 230V, 50Hz.

注: 产品规格若有变更, 恕不另行通知。

We reserve the right to change specifications without prior notice.

Note:

- 1) "*" means the output capacity depends on model selected, data of the single color doser can be a reference. For example: SCM-D-38-16/38-14, output capacity 1.7-52kg/hr.
- 2) "**" stands for external dia. of screw is up to model selected.
- 3) Single= color volumetrics add to mixer, add "MS" the back of the model.
- 4) All output capacities from above models are base on data from density 1.2, dia. 2-3 mm masterbatch in a test criteria of continuous running.
- 5) Voltage: 1 (D, 230V, 50Hz).

地址: 广东省东莞市常平镇漱新村沙田工业区

Add: Shatian Industrial, Shuxin Village, Changping Town, Dongguan City, Guangdong Province

TEL: 0769-83664588 FAX: 0769-83664688 E-mail: srt-zg@srt-zg.com http://www.ruidaguoji.com